

### ■ 前言

欢迎使用EBS-20C天花喇叭,使用前请您仔细阅读说明书,以便能正确的操作使用。

若存在有疑问或者您有宝贵的建议,可通过拨打得胜官方服务热线400 6828 333 或微信扫描二维码关注得胜官方公众号与我们联系。



### ■ 产品特性

• 复合全频带喇叭鼓纸,音质清晰动听,音乐播放频响均衡

### ■ 标准配置

EBS-20C × 1

说明书 × 1

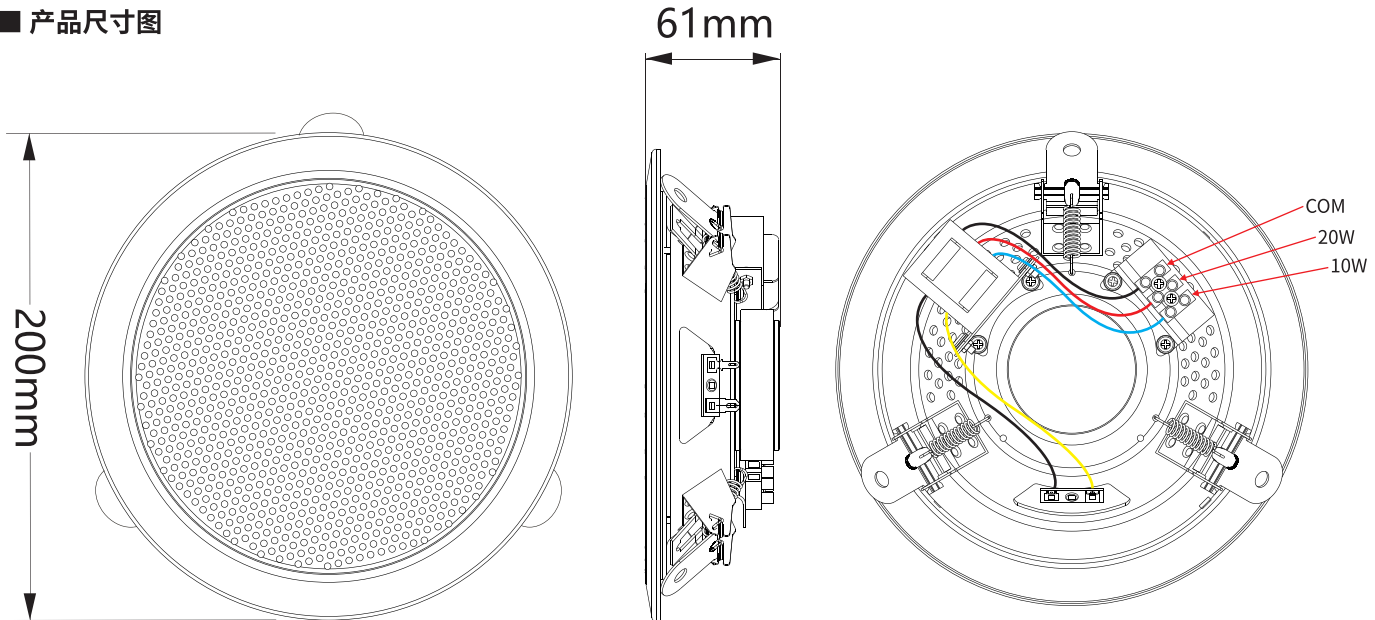
### ■ 适用场合

适用于餐厅、茶楼、车站、学校、办公大楼、车间等场所

### ■ 技术参数

- 额定功率:10W/20W (AES)
- 电压:70V/100V
- 尺寸:φ200\*61MM
- 开孔尺寸:φ175MM
- 频率响应:100-18kHz
- 面板材质:IRON
- 颜色:白色
- 灵敏度:(1W/1M)93dB

### ■ 产品尺寸图



### ■ 安全警示

为避免电击、高温、着火、辐射、爆炸、机械危险以及使用不当等可能造成的人身伤害或财产损失,使用本产品前,请仔细阅读并遵守以下事项:

1. 使用产品时请确认所连接设备与本产品功率是否匹配以及合理调整设备音量大小,不要在超过产品功率及大音量下长时间使用,以免造成产品异常;
2. 使用中若发现有异常(如冒烟、异味等),请立即关闭电源开关并拔掉电源插头,然后将产品送经销商检修;
3. 本产品及配件都应放置在室内干燥通风处,勿长期存放在潮湿、灰尘多的环境,使用中避免靠近火源,雨淋、进水、过度碰撞、抛掷、振动本机及覆盖通风孔,避免损坏其功能;
4. 若产品需要固定于墙壁或天花板上时,请确保固定到位,防止因固定强度不足导致产品发生跌落危险;
5. 使用该产品时需遵守相关安全规定,法律法规明确禁止使用场合请勿使用产品,以免导致意外事故。

#### 注意事项:

1. 本单为保修凭证,请用户妥善保管,如有遗失,恕不保修或退换。
2. 保修期限限制:购买之日起十二个月内。
3. 除了不可抗力事件损坏外,由本公司负责,免费维修。
4. 如属保管不善或使用不当造成的损坏,维修点将酌情收费。
5. 擅自拆卸维修者,不予保修。
6. 以上保修条款仅限于中国市场适用(不包含港澳台地区)。

#### 产品服务保证书

姓名: \_\_\_\_\_ 电话: \_\_\_\_\_ 地址: \_\_\_\_\_

商品: \_\_\_\_\_ 型号: \_\_\_\_\_ 购买日期: \_\_\_\_\_ 年 \_\_\_\_\_ 月 \_\_\_\_\_ 日

维修记录栏 (由维修员填写)	维修员签名	日期

◆ 广东得胜电子有限公司 ◆ 电话: 400-6828-333 ◆ 地址: 广东省惠州市博罗县龙溪街道富康一路2号



Thank you for purchasing EBS-20C Ceiling Speaker. To correctly use the device, please read the manual carefully.

If you have any questions or suggestions, please contact our local dealer.

### ■ Features

- Full range composite speaker cone, transparent tone, flat frequency response.

### ■ Standard Configuration

- 1 × EBS-20C
- 1 × User Manual

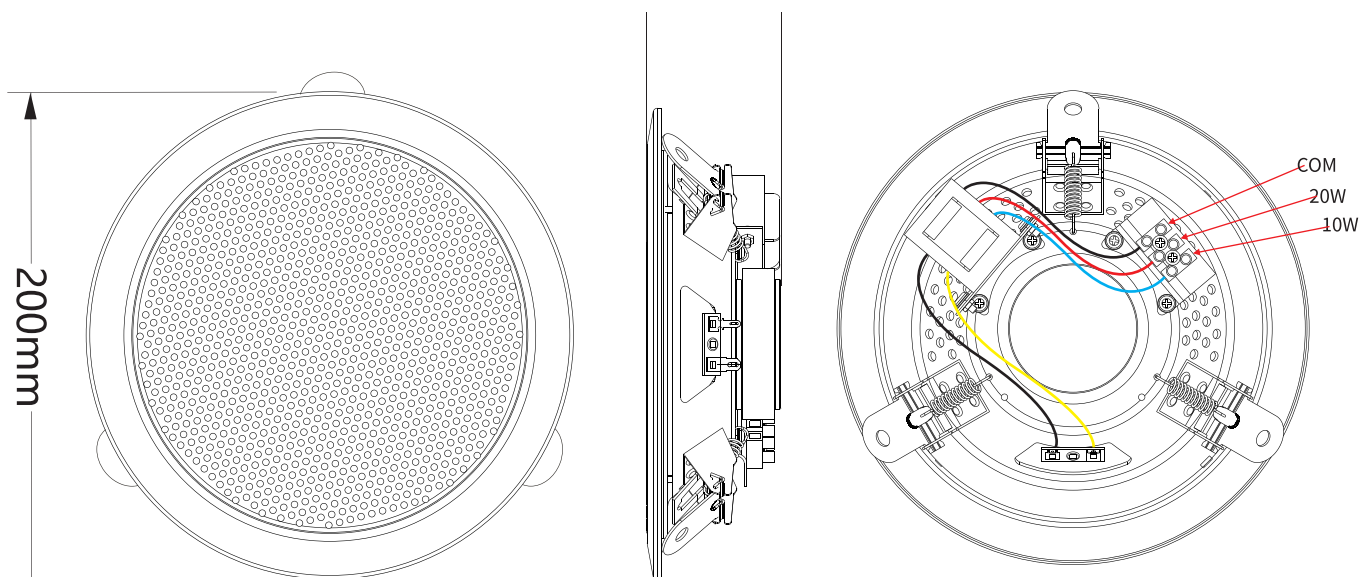
### ■ Applications

Restaurant, tea house, playground, station, school, mall, office building, workshop.

### ■ Technical Specifications

- Rated Power: 10/20W (AES)
- Voltage: 70V/100V
- Dimension: Ø200\*61mm
- Hole Cut: Ø175mm
- Frequency Response: 100-18kHz
- Panel Material: IRON
- Color: white
- Sensitivity: (1W/1M) 93dB

### ■ Dimensions



### ■ Safety Instructions

To avoid electric shock, overheat, fire, radiation, explosion, mechanical risk and injury or property loss due to improper use, please read and observe the following items before use:

1. Please check if the power of the connected equipment matches with that of this product before operation. Adjust the volume to proper level during operation. Do not operate at over-power or high-volume level for extended time to avoid product malfunction.
2. If there is any abnormality during use (e.g., smoke, strange odor), please kill the power switch and unplug from power source, then send the product to the local dealer for repair.
3. Keep this product and its accessories in a dry and ventilated area. Do not store in a humid or dusty area for extended time. Keep away from fire, rain, liquid intrusion, bumping, throwing, vibrating, or from blocking any ventilation openings, to prevent malfunction.
4. The product must, when installed on walls or ceilings, be fixed firmly in place at adequate strength to prevent from falling.
5. Please abide by safety rules during operation. Do not use the product in places prohibited by laws or regulations to avoid accident.